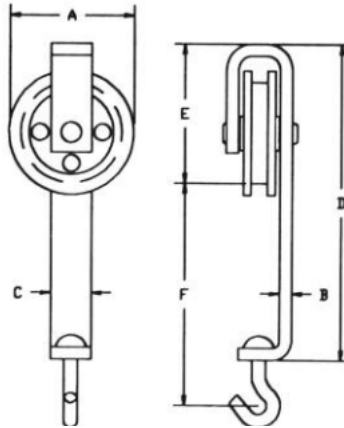


SINGLE TROLLEYS



	Wheel Dia. A	Frame Size B C	Frame Length D	Top of rail to top of frame/bar E	Top of rail to center of swivel F	Approx. Weight	Capacity
Galvanized	3-7/8"	5/16"x1-1/4"	10-1/4"	4-1/2"	7-1/2"	4.18 lbs.	300 lbs.
Black	3-7/8"	5/16"x1-1/4"	10-1/4"	4-1/2"	7-1/2"	4.08 lbs.	300 lbs.
Galvanized	3-7/8"	3/8"x1-1/4"	10-1/4"	4-1/2"	7-1/2"	4.50 lbs.	400 lbs.
Black	3-7/8"	3/8"x1-1/4"	10-1/4"	4-1/2"	7-1/2"	4.40 lbs.	400 lbs.
Galvanized	3-7/8"	3/8"x1-1/2"	10-1/4"	4-1/2"	7-1/2"	4.93 lbs.	700 lbs.
Black	3-7/8"	3/8"x1-1/2"	10-1/4"	4-1/2"	7-1/2"	4.83 lbs.	700 lbs.
Galvanized	4-5/8"	3/8"x1-1/2"	11-1/2"	5-1/4"	8"	5.99 lbs.	700 lbs.
Black	4-5/8"	3/8"x1-1/2"	11-1/2"	5-1/4"	8"	5.89 lbs.	700 lbs.
Galvanized	4-5/8"	3/8"x1-3/4"	11-1/2"	5-1/4"	8"	6.40 lbs.	900 lbs.
Black	4-5/8"	3/8"x1-3/4"	11-1/2"	5-1/4"	8"	6.40 lbs.	900 lbs.
Heat Treated	4-5/8"	3/8"x1-3/4"	11-1/2"	5-1/4"	8"	6.40 lbs.	2200 lbs.

Contact Cogen Equipment Today For Assistance

402-881-5278 - alan.cogen@gmail.com

www.cogenequipment.com